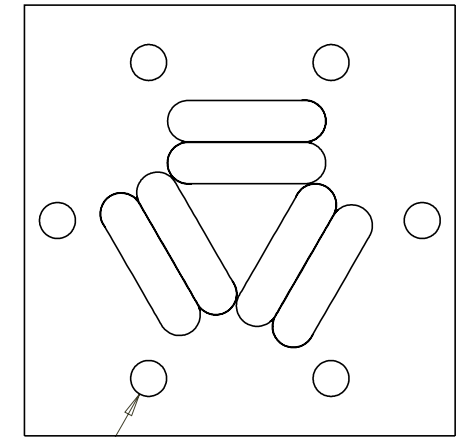
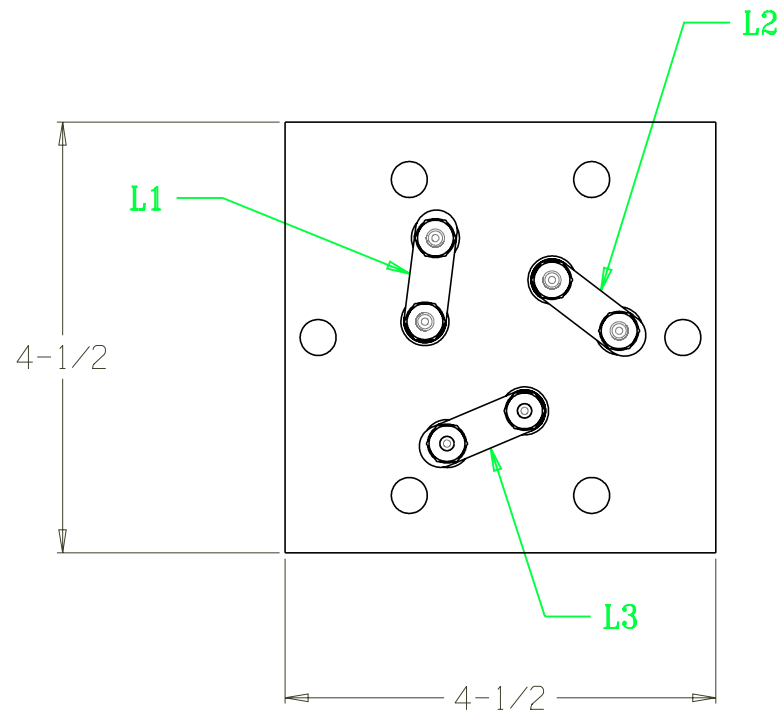
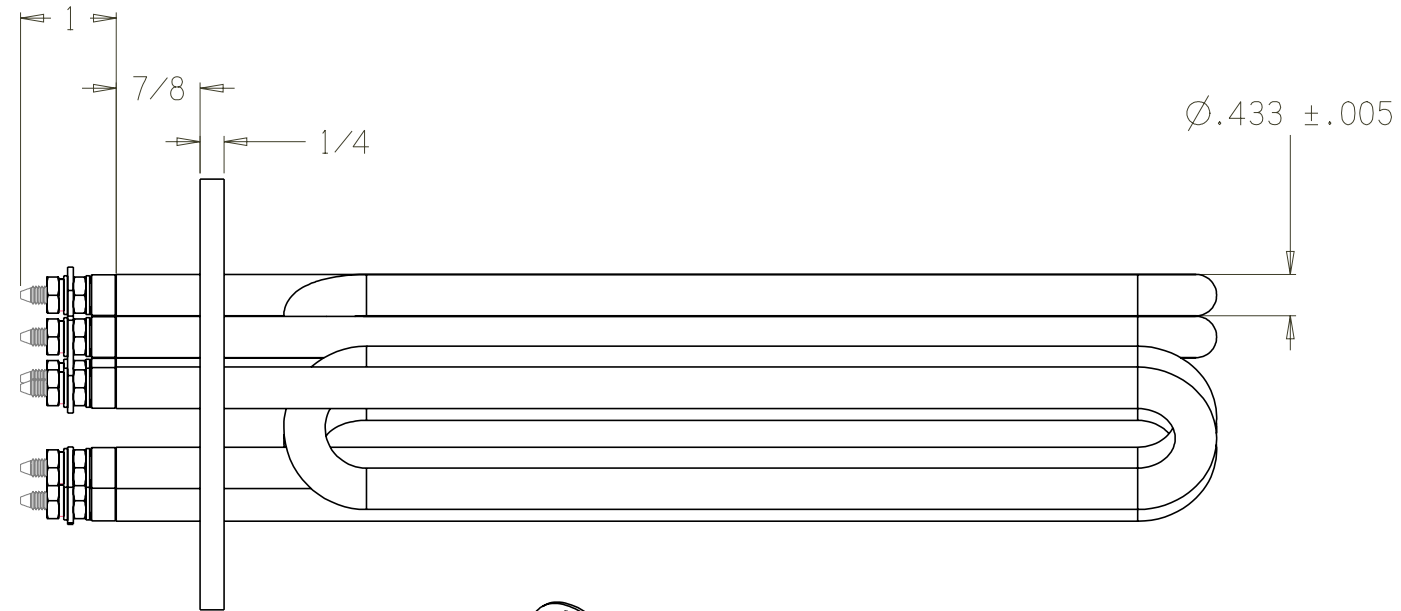
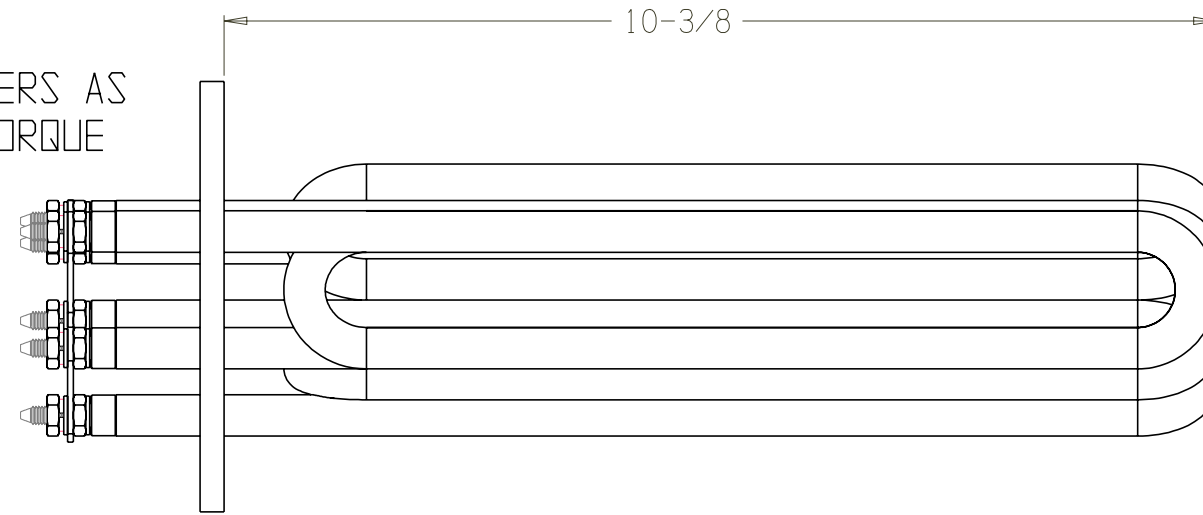


THIS DOCUMENT AND THE DATA DISCLOSED HEREIN OR HEREWITH IS NOT TO BE REPRODUCED, USED, OR DISCLOSED IN WHOLE OR IN PART TO ANYONE WITHOUT THE PERMISSION OF EICHENAUER, INC.

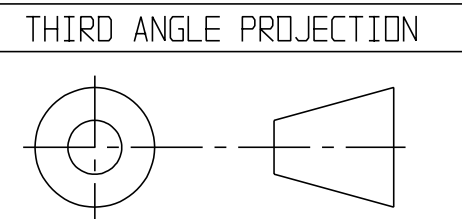
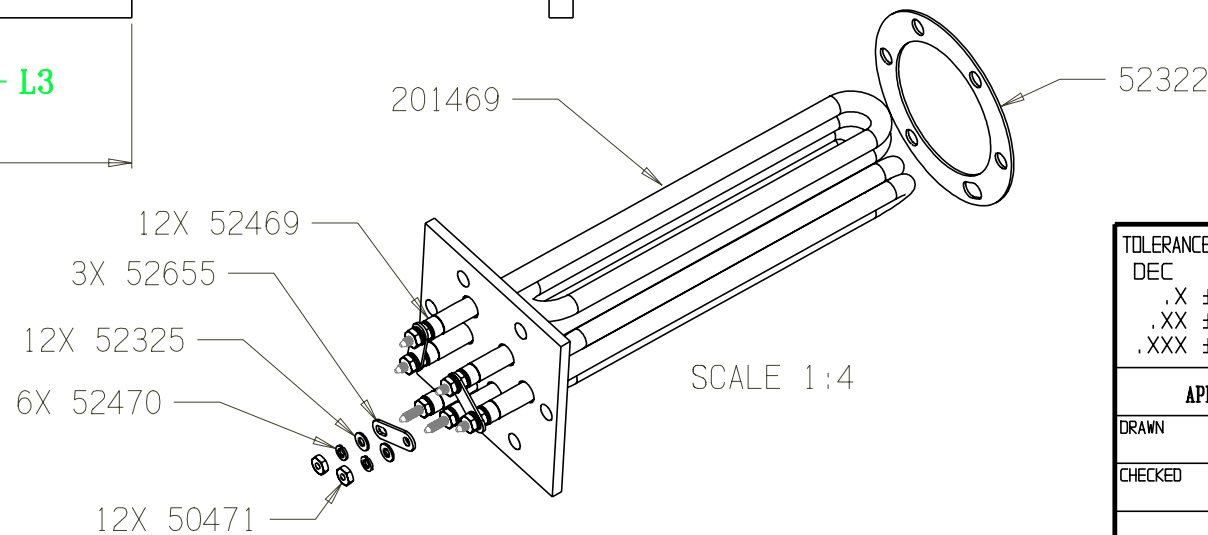
| REVISIONS | | | |
|-----------|-------------------------------|---------|----------|
| LTR/NO | DESCRIPTION | DATE | APPROVED |
| 1 | PRODUCTION RELEASE | 5/16/12 | SJH |
| 2 | UL # REVISED PER ECN 010-13 | 6/18/13 | SJH |
| 3 | B.C. CORRECTED PER ECN 011-15 | 8/26/15 | SJH |

NOTES:

1. DIMENSIONS IN INCHES
2. FLANGE MATERIAL: STEEL
3. SHEATH MATERIAL: STAINLESS STEEL
4. TERMINAL PINS: #10-32 WITH NUTS AND WASHERS AS SHOWN. TOP NUTS TIGHTENED TO 25 IN-LBS TORQUE
5. COLD RESISTANCE: $56.5 \Omega \pm 10\%/-5\%$ (53.8 - 62.1) PER TUBE
6. BUSS TO BUSS RESISTANCE: $37.6 \Omega \pm 10\%/-5\%$ (35.9 - 41.4) WHEN ASSEMBLED
7. SHEATH WATT DENSITY: 75 W/IN²
8. UL FILE: E76225 MODEL: 950-30-11
9. WIRING DIAGRAM: WDG-006



(6) Ø3/8 HOLES ON 3-13/16 DIA BC



| | |
|---------------------------------------|------------------|
| TOLERANCES UNLESS OTHERWISE SPECIFIED | |
| DEC | FRACTIONS ANGLES |
| .X ±.06 | |
| .XX ±.025 ± 1/16 | ±1° |
| .XXX ±.010 | |
| APPROVALS | DATE |
| DRAWN S. HEBERT | 5/16/12 |
| CHECKED | |

EICHENAUER INC.
 292 Sunapee St., Newport, NH 03773
 TEL: 603-863-1454 FAX: 603-863-1248

FLANGED BOILER HEATER
480V 12KW 3PH

SIZE B FSCM NO. DWG. NO. 300604H REV. 3

SCALE 1:2 SHEET 1 of 1