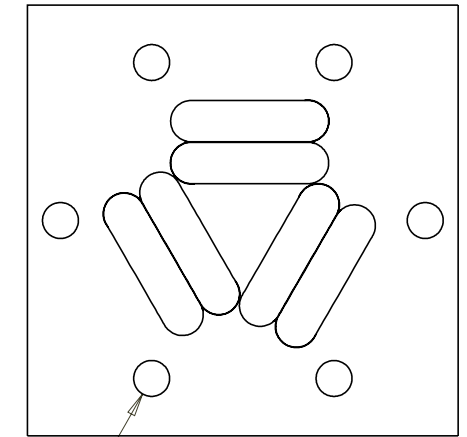
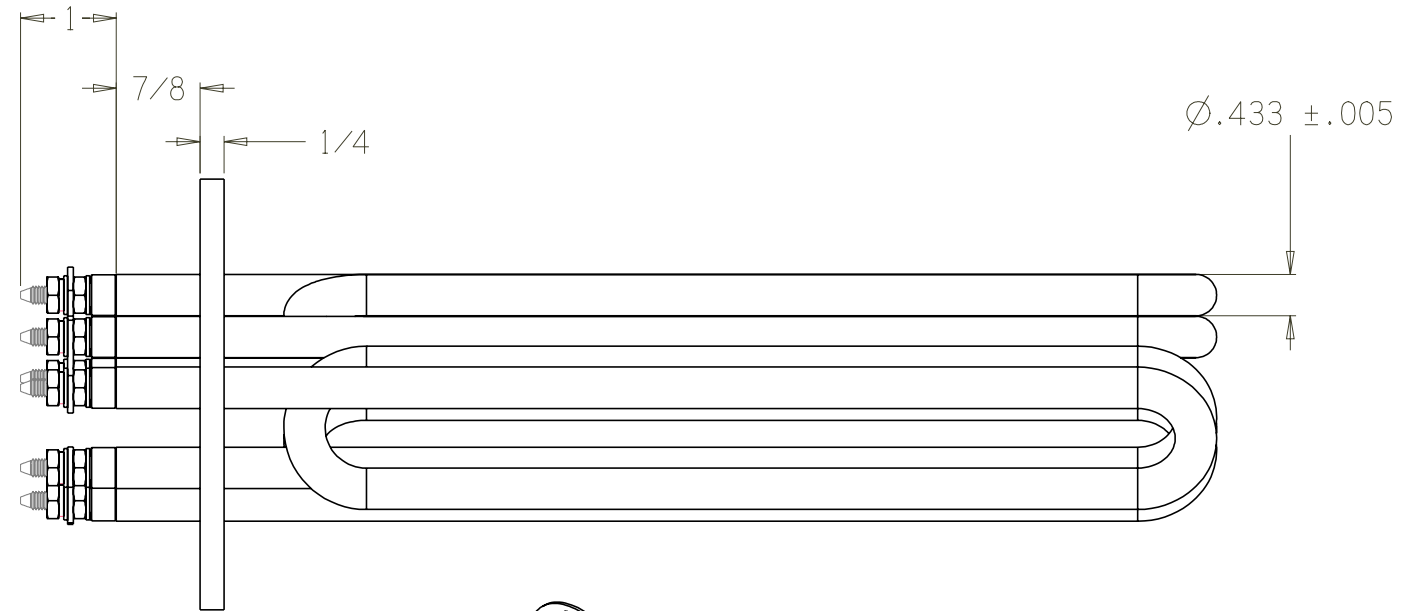
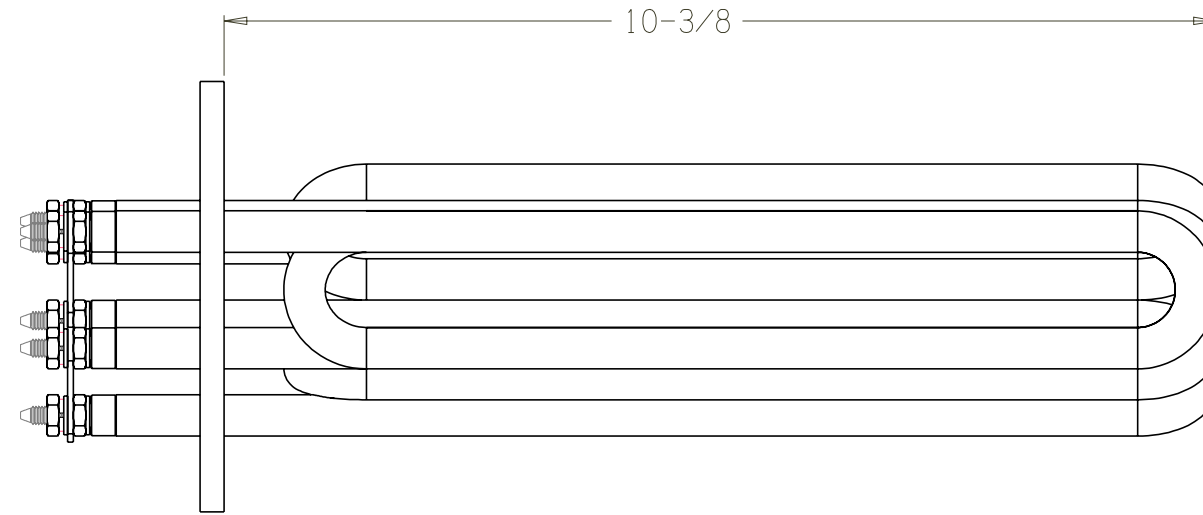


THIS DOCUMENT AND THE DATA DISCLOSED HEREIN OR HEREWITH IS NOT TO BE REPRODUCED, USED, OR DISCLOSED IN WHOLE OR IN PART TO ANYONE WITHOUT THE PERMISSION OF EICHENAUER, INC.

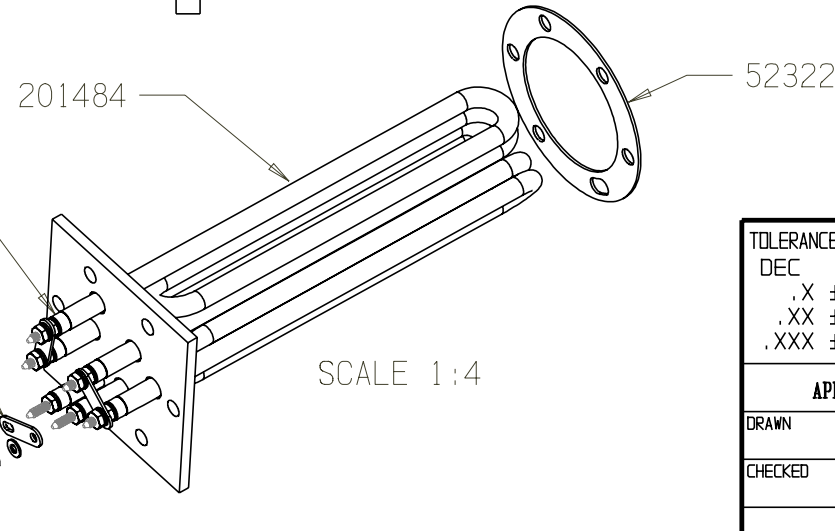
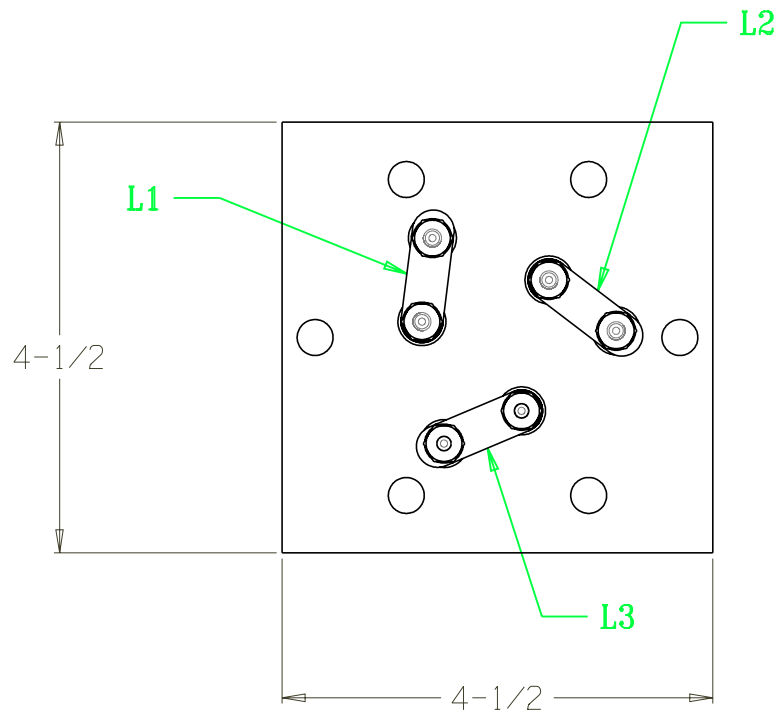
REVISIONS			
LTR/NO	DESCRIPTION	DATE	APPROVED
1	PRODUCTION RELEASE	10/15/12	SJH
2	B.C. CORRECTED PER ECN 011-15	8/27/15	SJH

NOTES:

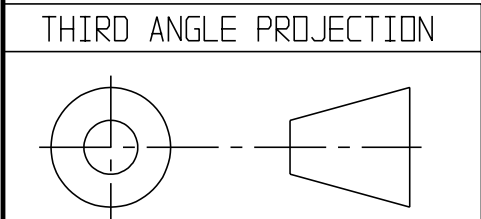
1. DIMENSIONS IN INCHES
2. FLANGE MATERIAL: STEEL
3. SHEATH MATERIAL: STAINLESS STEEL
4. TERMINAL PINS: #10-32 WITH NUTS AND WASHERS AS SHOWN
5. COLD RESISTANCE:  $9.4\Omega \pm 10\%/-5\%$  (9.0 - 10.4) PER TUBE
6. BUSS TO BUSS RESISTANCE:  $6.3\Omega \pm 10\%/-5\%$  (6.0 - 6.9) WHEN ASSEMBLED
7. TIGHTEN TOP NUTS TO 25 IN-LBS TORQUE
8. SHEATH WATT DENSITY: 113 W/IN<sup>2</sup>
9. UL FILE: E76225 MODEL: 2202
10. WIRING DIAGRAM: WDG-006



(6) Ø3/8 HOLES ON 3-13/16 DIA BC



SCALE 1:4



TOLERANCES UNLESS OTHERWISE SPECIFIED	
DEC	FRACTIONS ANGLES
.X ±.06	
.XX ±.025 ±1/16	±1°
.XXX ±.010	
APPROVALS	DATE
DRAWN S. HEBERT	10/15/12
CHECKED	

**EICHENAUER INC.**  
 292 Sunapee St., Newport, NH 03773  
 TEL: 603-863-1454 FAX: 603-863-1248

**FLANGED BOILER HEATER**  
**240V 18KW 3PH**

SIZE B FSCM NO. DWG. NO. 300611H REV. 2

SCALE 1:2 SHEET 1 of 1