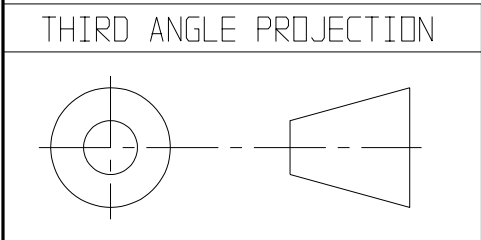
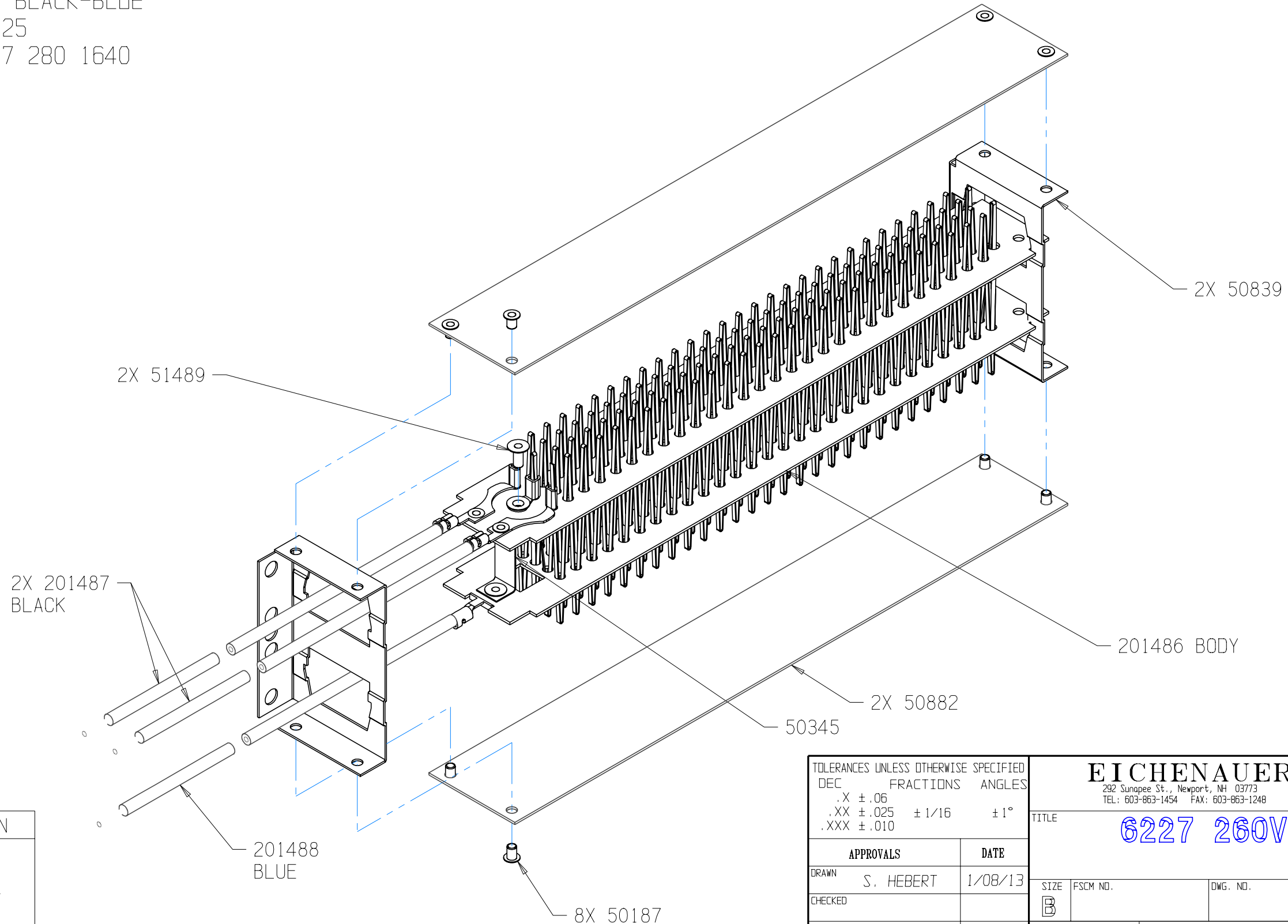


THIS DOCUMENT AND THE DATA DISCLOSED HEREIN OR HEREWITH IS NOT TO BE REPRODUCED, USED, OR DISCLOSED IN WHOLE OR IN PART TO ANYONE WITHOUT THE PERMISSION OF EICHENAUER, INC.

REVISIONS			
LTR/NO	DESCRIPTION	DATE	APPROVED
1	PRODUCTION RELEASE	1/08/13	SJH

NOTES:

1. DIMENSIONS IN INCHES
2. RESISTANCE: $79.9\Omega \pm 5\%$
(76.1 - 83.9) BLACK-BLUE
3. UL FILE E76225
CAT. DES. 6227 280 1640



TOLERANCES UNLESS OTHERWISE SPECIFIED	
DEC	FRACTIONS ANGLES
.X ±.06	
.XX ±.025 ±1/16	±1°
.XXX ±.010	
APPROVALS	DATE
DRAWN S. HEBERT	1/08/13
CHECKED	
SCALE 1:1	

EICHENAUER INC.
292 Sunapee St., Newport, NH 03773
TEL: 603-863-1454 FAX: 603-863-1248

TITLE: **6227 260V 2x820W**

SIZE B	FSCM NO.	DWG. NO. 300612	REV. 1
SCALE 1:1		SHEET 1 of 1	