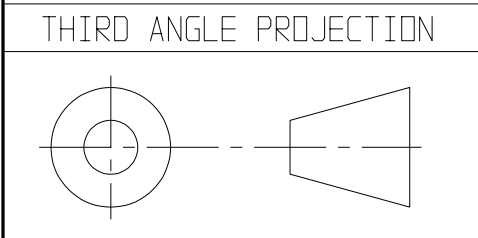
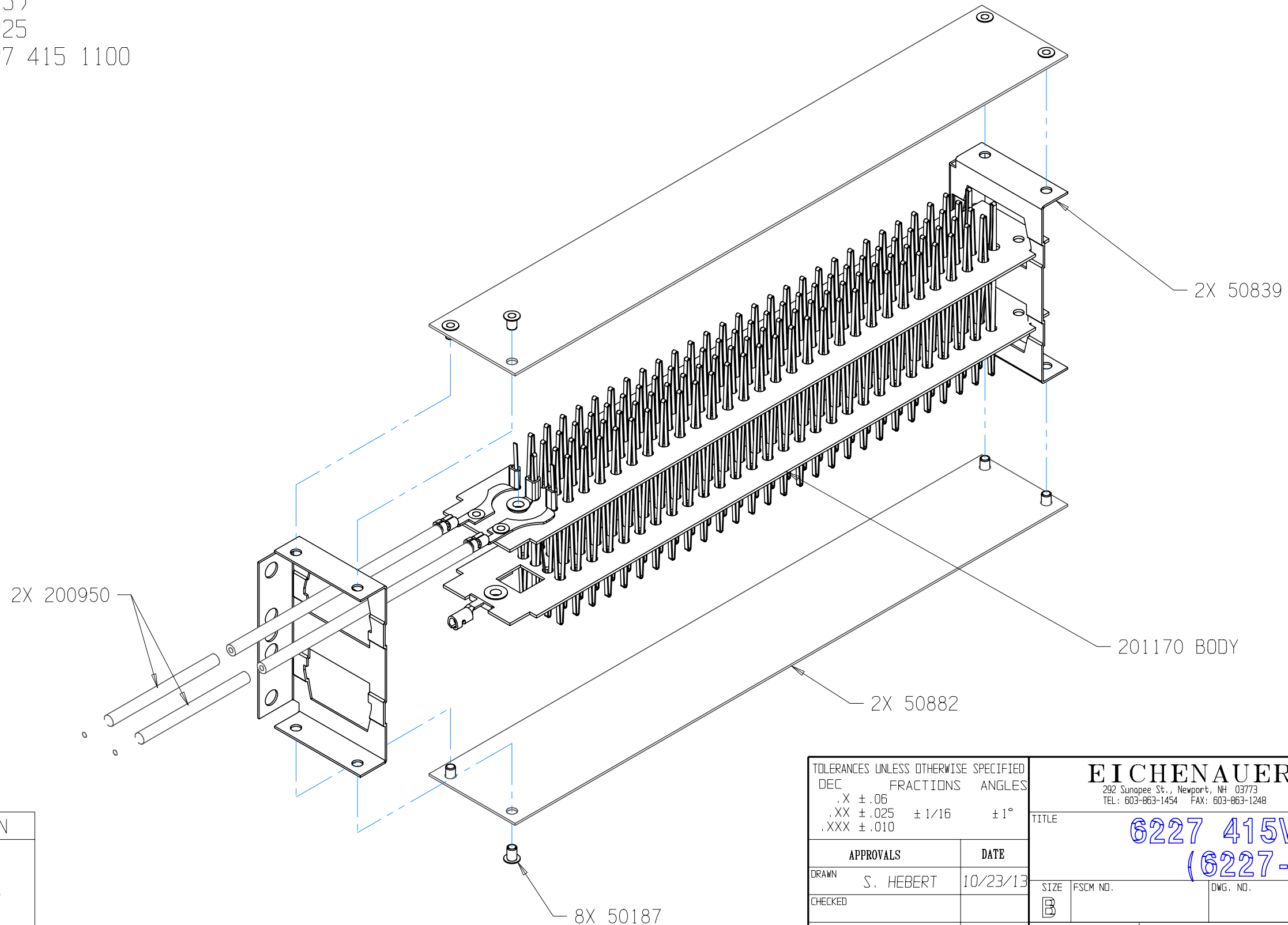


THIS DOCUMENT AND THE DATA DISCLOSED HEREIN OR HERewith IS NOT TO BE REPRODUCED, USED, OR DISCLOSED IN WHOLE OR IN PART TO ANYONE WITHOUT THE PERMISSION OF EICHENAUER, INC.

REVISIONS			
LTR/NO	DESCRIPTION	DATE	APPROVED
1	PRODUCTION RELEASE	10/23/13	SJH

NOTES:

1. DIMENSIONS IN INCHES
2. RESISTANCE: $149.0\Omega \pm 5\%$
(141.9 - 156.5)
3. UL FILE E76225
CAT. DES. 6227 415 1100



TOLERANCES UNLESS OTHERWISE SPECIFIED		EICHENAUER INC. 292 Sunapee St., Newport, NH 03773 TEL: 603-863-1454 FAX: 603-863-1248		
DEC	FRACTIONS			
.X ±.06		±1°	6227 415V 1100W (6227-B06)	
.XX ±.025	± 1/16			
.XXX ±.010			TITLE 6227 415V 1100W (6227-B06)	REV. 1
APPROVALS DRAWN S. HEBERT CHECKED		DATE 10/23/13	SIZE B	FSCM NO. DWG. NO. 300616
		SCALE 1:1	SHEET 1 of 1	