

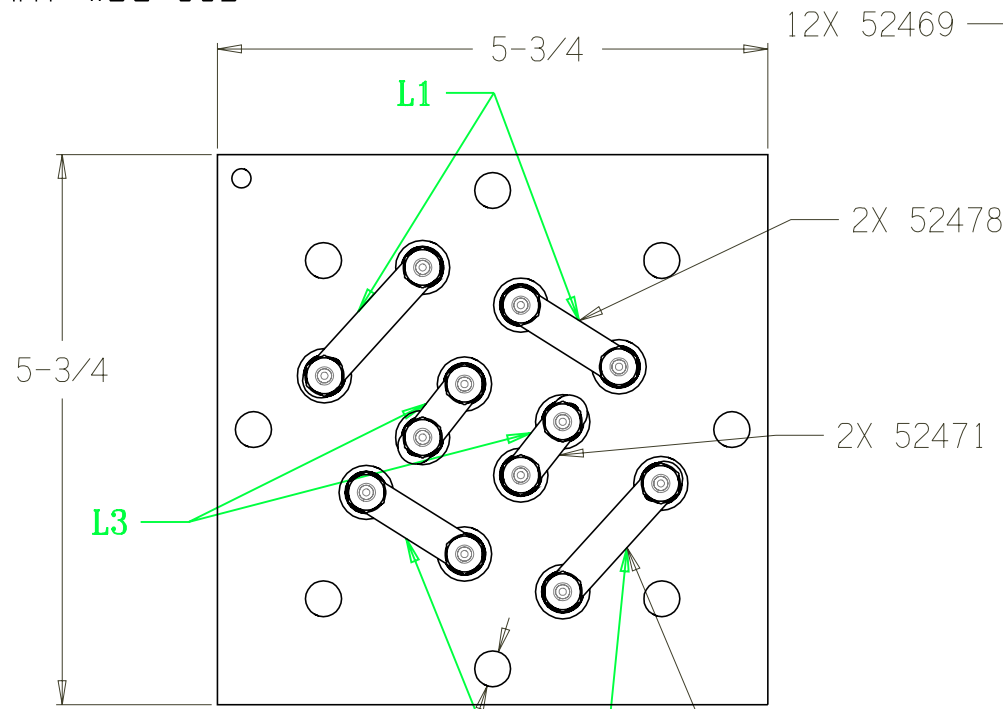
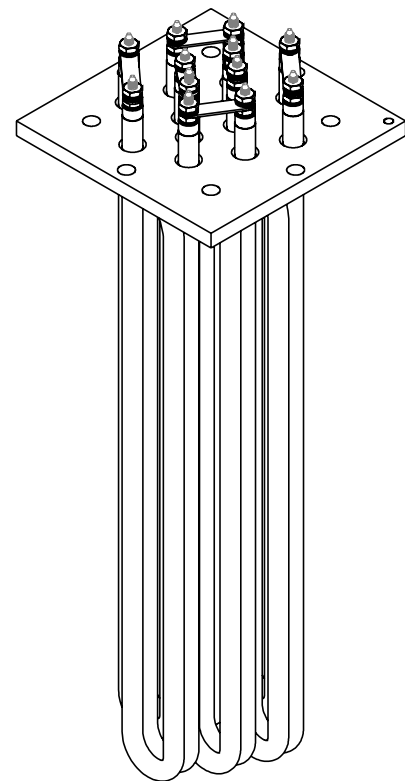
THIS DOCUMENT AND THE DATA DISCLOSED HEREIN OR HEREWITH IS NOT TO BE REPRODUCED, USED, OR DISCLOSED IN WHOLE OR IN PART TO ANYONE WITHOUT THE PERMISSION OF HARTFORD EICHENAUER, INC.

REVISIONS			
LTR/NO	DESCRIPTION	DATE	APPROVED
1	PRODUCTION RELEASE	4/25/18	SJH

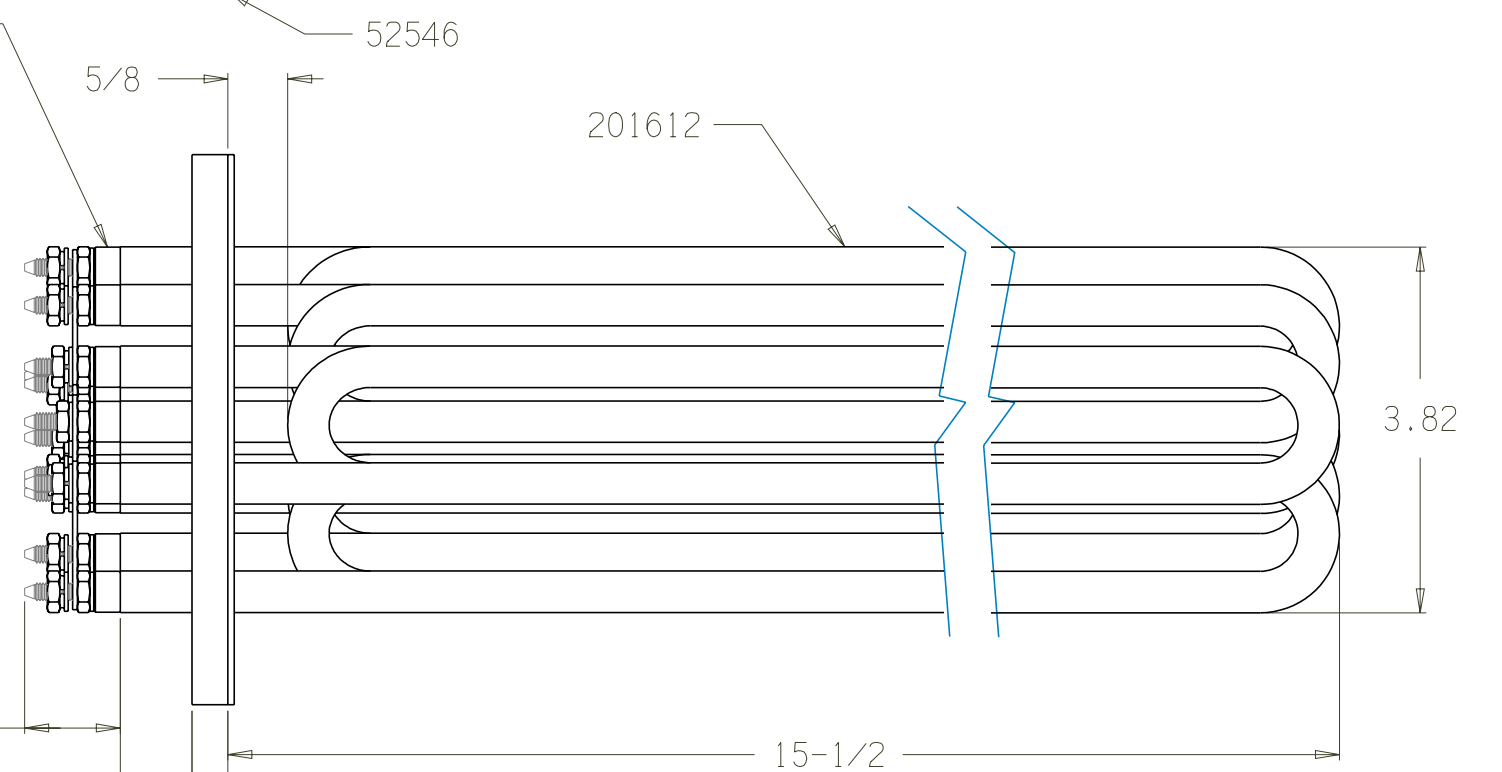
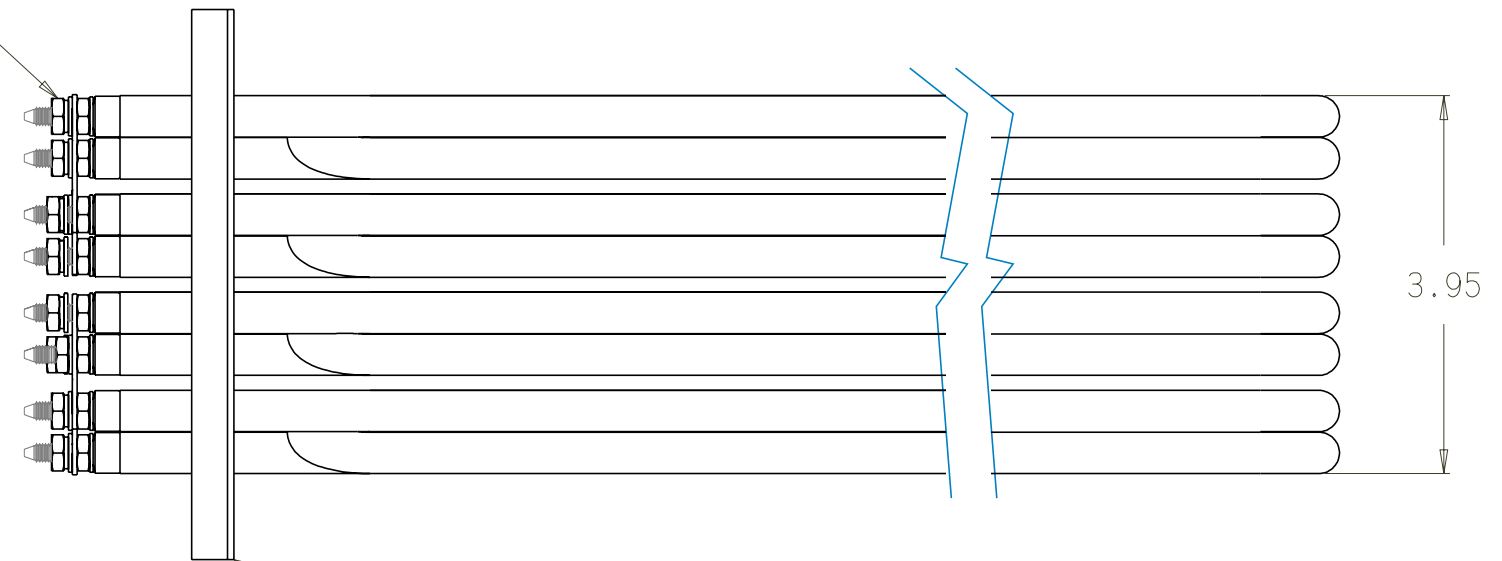
NOTES:

1. DIMENSIONS IN INCHES
2. FLANGE MATERIAL: STEEL
3. SHEATH MATERIAL: STAINLESS STEEL
4. TERMINAL PINS: #10-32 WITH NUTS & WASHERS AS SHOWN
5. COLD RESISTANCE:  $7.5\Omega \pm 10\%/-5\%$  (7.2 - 8.3) PER TUBE
6. TOTAL RESISTANCE:  $5.0\Omega \pm 10\%/-5\%$  (4.8 - 5.5) L1-L2, L2-L3, L1-L3
7. TIGHTEN TOP NUTS TO 25 IN-LBS TORQUE
8. SHEATH WATT DENSITY: 93 W/IN<sup>2</sup>
9. UL FILE: E76225, MODEL 950-30-11
10. WIRING DIAGRAM: WDG-003

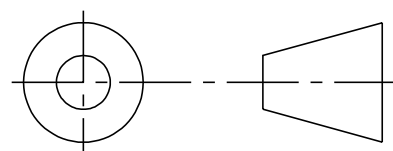
- 24X 52325 FLAT WASHERS
- 24X 50471 HEX NUTS
- 12X 52470 SPLIT WASHERS



(8)  $\varnothing$  3/8 HOLES ON 5.0 DIA BC



THIRD ANGLE PROJECTION



TOLERANCES UNLESS OTHERWISE SPECIFIED	
DEC	FRACTIONS ANGLES
.X $\pm$ .06	
.XX $\pm$ .025	$\pm$ 1/16 $\pm$ 1°
.XXX $\pm$ .010	
APPROVALS	DATE
DRAWN S. HEBERT	4/25/18
CHECKED	

**EICHENAUER INC.**  
292 Sunapee St., Newport, NH 03773  
TEL: 603-863-1454 FAX: 603-863-1248



TITLE **5-3/4" FLANGED IMMERSERS**  
**240V 45KW 3PH**

SIZE <b>B</b>	FSCM NO.	DWG. NO. <b>300652K</b>	REV. <b>1</b>
SCALE 1:2	SHEET 1 of 1		