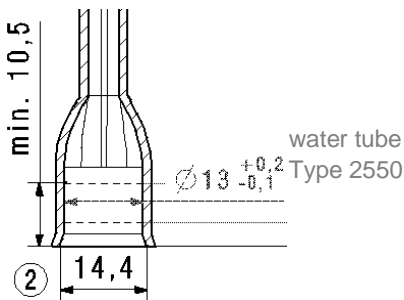


Heating element for coffeemakers Type 2550



Type 2550



Typical Applications

Heating or evaporation of fluids (e.g. in coffeemakers, ovens, steam cleaners etc.)

Characteristics

- favorable scaling behavior
- high power ratings possible
- high durability
- good steam quality
- leakage current safe by hydrophobized magnesium oxide
- VDE / UL mark approval

Design

2 aluminum tubular elements, electrically connected in series, brazed with aluminium water tube (stainless steel on request) and thermostat mounting link

Technical Specifications

Standard module:

Voltage	230 V
Power	1600 W
Dimension tubular element	127 mm
Dimension water tube	180 mm
Electrical connection	bolts Ø 2 mm (customer-specific cabling possible)
Water tube connection	coupling with O-ring
Pressure resistance	15 bar
Unsusceptible to	all commercially available descaling agents

Variations:

Voltage / Power	120 V / 1100 – 1600 W
Voltage / Power	230/240 V / 1100 – 2400 W
Dimensions	on request



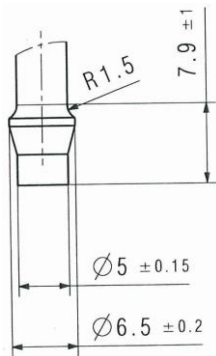
Heating element for coffeemakers Type 2570



Type 2570
aluminum



Type 2570
stainless steel



water tube
Type 2570

Typical Applications

Heating or evaporation of fluids (e.g. in coffeemakers, ovens, steam cleaners etc.)

Characteristics

- compact design
- low mass, thus dynamic responsiveness (short heat-up times)
- high power density
- large heat exchange surface (i.e. high efficiency)
- leakage current safe by hydrophobized magnesium oxide

Design

Aluminum tubular elements with wound around water tube (aluminum or stainless steel) and thermostat mounting link, brazed contact areas

Technical Specifications

Standard module:

Voltage	230 V
Power	1600 W
Dimension tubular element	180 mm
Dimension water tube	distance tube ends approx. 158 mm
Electrical connection	bolts Ø 2 mm (customer-specific cabling possible)
Water tube connection	hose connection
Pressure resistance	15 bar
Unsusceptible to	all commercially available descaling agents

Variations:

Voltage / Power	120 V / 500 – 1500 W
Voltage / Power	230/240 V / 500 – 1800 W
Dimensions	on request

Technical modifications reserved



PDB 1403 Index 4

Eichenauer Inc.

292 Sunapee Street · Newport NH 03773-1232
 ☎ +1 (603) 863-1454 · 📠 +1 (603) 863-1248 ✉ info@eichenauerusa.com
www.eichenauerusa.com

