

Heating elements for tumble dryers

Type 621xx / 6360



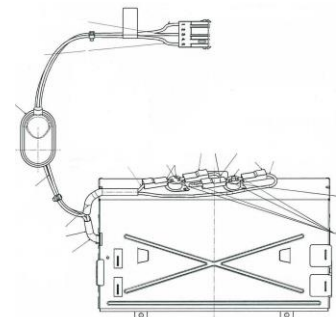
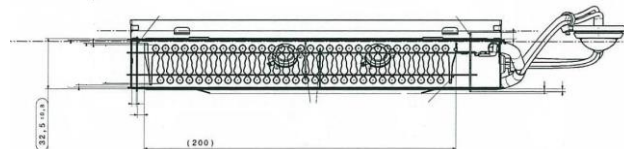
Type 6210*



Type 6211*



Type 6360*



Typical Applications

Tumble dryers (vent and condense) in customer-specific design

Characteristics

- low surface loads of heat wire
- little pressure loss
- uniform temperature profile at drum inlet
- very dynamic control behavior
- low leakage currents (throughout the useful life)
- high durability

Design

Type 621xx

- open wire heating element in Zig-Zag technology with mica carrier plates, integrated in customer-specific housing made of zinc-plated sheet metal
- 1 – 3 heat settings
- temperature control / limiter or NTC acc. to customer requirements
- diverse variants of temperature controls and safety fuses
- cable harness as specified (on request with injection molded cable feed)
- welded heat wire connections

Type 6360

- open wire heating element in Zig-Zag technology with mica carrier plates; heat coil inserted on one side
- 1 – 3 heat settings
- plug connections 6,3 or 9,5 mm

Technical Specifications

	Type 621xx	Type 6360
Voltage	100 V ... 240 V	100 V ... 240 V
Power	max. 3200 W (1 – 3 heat settings)	max. 5400 W (1 – 3 heat settings)
Dimensions	customer-specific, minimum height 32 mm	customer-specific, maximum height of coil 32 mm
Connections	plug connection or cable harness	plug connection
Mark Approvals	VDE (UL on request)	VDE / UL

*the pictures show customised solutions

Technical modifications reserved



Eichenauer Inc.

292 Sunapee Street · Newport NH 03773-1232
 ☎ +1 (603) 863-1454 · 📠 +1 (603) 863-1248 ✉ info@eichenauerusa.com
www.eichenauerusa.com

PDB 1411 Index 5

